

## P/N: 89206-0101

### Copyright

© 2019, FLIR Systems, Inc.

All rights reserved worldwide. Names and marks appearing herein are either registered trademarks or trademarks of FLIR Systems and/or its subsidiaries. All other trademarks, trade names or company names referenced herein are used for identification only and are the property of their respective owners.

### Document identity

Publ. No.: 89206-0101

Commit: 59480

Language:

Modified: 2019-09-10

Formatted: 2019-09-10

### Website

<http://www.flir.com>

### Customer support

<http://support.flir.com>

### Disclaimer

Specifications subject to change without further notice. Camera models and accessories subject to regional market considerations. License procedures may apply. Products described herein may be subject to US Export Regulations. Please refer to [exportquestions@flir.com](mailto:exportquestions@flir.com) with any questions.



Imaging and optical data	
Infrared resolution	640 × 480 pixels
UltraMax (super-resolution) <sup>1</sup>	Yes
NETD	<ul style="list-style-type: none"> <li>• &lt;30 mK, 42° @ +30°C (+86°F)</li> <li>• &lt;40 mK, 24° @ +30°C (+86°F)</li> <li>• &lt;50 mK, 14° @ +30°C (+86°F)</li> </ul>
Field of view	<ul style="list-style-type: none"> <li>• 42° × 32°</li> <li>• 24° × 18°</li> <li>• 14° × 10°</li> </ul>
Minimum focus distance	<ul style="list-style-type: none"> <li>• 0.15 m (0.49 ft.), 42°</li> <li>• 0.15 m (0.49 ft.), 24°</li> <li>• 1.0 m (3.28 ft.), 14°</li> <li>• Macro mode 50 μm as option, 24°</li> </ul>
Minimum focus distance with MSX	<ul style="list-style-type: none"> <li>• 0.65 m (2.13 ft.), 42°</li> <li>• 0.5 m (1.64 ft.), 24°</li> <li>• 1.0 m (3.28 ft.), 14°</li> </ul>
Focal length	<ul style="list-style-type: none"> <li>• 10 mm (0.39 in.), 42°</li> <li>• 17 mm (0.67 in.), 24°</li> <li>• 29 mm (1.41 in.), 14°</li> </ul>
Spatial resolution (IFOV)	<ul style="list-style-type: none"> <li>• 1.2 mrad/pixel, 42°</li> <li>• 0.7 mrad/pixel, 24°</li> <li>• 0.4 mrad/pixel, 14°</li> </ul>
Available extra lenses	<ul style="list-style-type: none"> <li>• 6° (service calibration required)</li> </ul>
Lens identification	Automatic
f number	<ul style="list-style-type: none"> <li>• 1.1, 42°</li> <li>• 1.3, 24°</li> <li>• 1.5, 14°</li> </ul>
Image frequency	30 Hz

1. Not supported when using macro.



# FLIR T860 24° + 14° & 42°

P/N: 89206-0101

© 2019, FLIR Systems, Inc.

#89206-0101; r. 59480;

Imaging and optical data		
Focus	<ul style="list-style-type: none"> <li>• Continuous LDM</li> <li>• One-shot LDM</li> <li>• One-shot contrast</li> <li>• Manual</li> </ul>	
Field of view match	Yes	
Digital zoom	1–8× continuous	
Detector data		
Focal plane array/spectral range	Uncooled microbolometer/7.5–14 μm	
Detector pitch	12 μm	
Image presentation		
Resolution (display)	640 × 480 pixels (VGA)	
Surface brightness (cd/m <sup>2</sup> )	400	
Screen size	4 in.	
Viewing angle	80°	
Color depth (bits)	24	
Aspect ratio	4:3	
Auto-rotation	Yes	
Touchscreen	Optically bonded PCAP	
Display technology	IPS	
Cover glass material	Dragontrail®	
Programmable buttons	2	
Viewfinder	Yes	
Image adjustment	<ul style="list-style-type: none"> <li>• Automatic</li> <li>• Automatic maximum</li> <li>• Automatic minimum</li> <li>• Manual</li> </ul>	
Image presentation modes		
Infrared image	Yes	
Visual image	Yes	
MSX	Yes	
Picture in picture	Resizable and movable	
Gallery	Yes	
Measurement		
Camera temperature range	Object temperature range	Accuracy — for ambient temperature +15 to +35°C (+59 to +95°F)
–20 to +120°C (–4 to +248°F)	–20 to +100°C (–4 to +212°F)	±2°C (±3.6°F)
	+100 to +120°C (+212 to +248°F)	±2%
0 to +650°C (+32 to +1202°F)	0 to +100°C (+32 to +212°F)	±2°C (±3.6°F)
	+100 to +650°C (+212 to +1202°F)	±2%
+300 to +2000°C (+572 to +3632°F)	+300 to +2000°C (+572 to +3632°F)	±2%

P/N: 89206-0101

© 2019, FLIR Systems, Inc.

#89206-0101; r. 59480;

<b>Measurement analysis</b>	
Spotmeter	3 in live mode
Area	3 in live mode
Automatic hot/cold detection	Automatic maximum/minimum markers within area
Measurement presets	<ul style="list-style-type: none"> <li>No measurements</li> <li>Center spot</li> <li>Hot spot</li> <li>Cold spot</li> <li>User preset 1</li> <li>User preset 2</li> </ul>
Difference temperature	Yes
Reference temperature	Yes
Emissivity correction	Yes, variable from 0.01 to 1.0 or selected from materials list
Measurement corrections	Yes
External optics/windows correction	Yes
Screening	0.5°C (0.9°F) accuracy at 37°C (98.6°F) with reference
<b>Alarm</b>	
Color alarm (isotherm)	<ul style="list-style-type: none"> <li>Above</li> <li>Below</li> <li>Interval</li> <li>Condensation (moisture/humidity/dewpoint)</li> <li>Insulation</li> </ul>
Measurement function alarm	Audible/visual alarms (above/below) on any selected measurement function
<b>Set-up</b>	
Color palettes	<ul style="list-style-type: none"> <li>Iron</li> <li>Gray</li> <li>Rainbow</li> <li>Arctic</li> <li>Lava</li> <li>Rainbow HC</li> </ul>
Setup commands	Local adaptation of units, language, date, and time formats
Languages	21
<b>Service functions</b>	
Camera software update	Using USB cable or SD card
<b>Storage of images</b>	
Storage media	Removable memory: SD card
Time lapse (Periodic image storage)	10 seconds to 24 hours (infrared)
Remote control operation	Using USB cable or Wi-Fi
Image file format	Standard JPEG, measurement data included. Infrared-only mode.
<b>Image annotations</b>	
Voice	60 seconds with built-in microphone and speaker (and via Bluetooth) on still images and video
Text	Text from predefined list or soft keyboard on touchscreen
Visual image annotation	Yes



# FLIR T860 24° + 14° & 42°

P/N: 89206-0101

© 2019, FLIR Systems, Inc.

#89206-0101; r. 59480;

<b>Image annotations</b>	
Image sketch	Yes: on infrared only
Sketch	From touchscreen
METERLiNK	Wireless connection (Bluetooth) to: FLIR meters with METERLiNK
Laser distance meter information	Yes
Area measurement information	Yes
GPS	Location data automatically added to every still image and first frame in video from built-in GPS
<b>Video recording in camera</b>	
Radiometric infrared-video recording	RTRR (.csq)
Non-radiometric infrared-video recording	H.264 to memory card
Visual video recording	H.264 to memory card
<b>Video streaming</b>	
Radiometric infrared-video streaming (compressed)	Over UVC
Non-radiometric video streaming (compressed: IR, MSX, visual, Picture in Picture)	<ul style="list-style-type: none"> <li>• H.264 (AVC) over RTSP (Wi-Fi)</li> <li>• MPEG4 over RTSP (Wi-Fi)</li> <li>• MJPEG over UVC and RTSP (Wi-Fi)</li> </ul>
Visual video streaming	Yes
<b>Digital camera</b>	
Resolution	5 MP with LED light
Focus	Fixed
Field of view	53° × 41°
Video lamp	Built-in LED light
<b>Laser pointer</b>	
Laser alignment	Position is automatically displayed on the infrared image
Laser distance meter	Activated by dedicated button
Laser	Class 2, 0.05–40 m (0.16–131 ft.) ±1% of measured distance
<b>Data communication interfaces</b>	
Interfaces	USB 2.0, Bluetooth, Wi-Fi, DisplayPort
METERLiNK/Bluetooth	Communication with headset and external sensors
Wi-Fi	Peer to peer (ad hoc) or infrastructure (network)
Audio	Microphone and speaker for voice annotation of images
USB	USB Type-C: data transfer/video/power
USB standard	USB 2.0 High Speed
Video out	DisplayPort
Video connector type	DisplayPort over USB Type-C



# FLIR T860 24° + 14° & 42°

P/N: 89206-0101

© 2019, FLIR Systems, Inc.

#89206-0101; r. 59480;

<b>Radio</b>	
Operating frequency	Bluetooth + EDR/LE: 2402–2480 MHz WLAN 2.4 GHz: 2412–2462 MHz WLAN 5 GHz: 5150–5350 MHz (DFS: only slave mode) Note that frequency band 5150–5350 MHz is for indoor use only, see national regulations.
RF output (EIRP)	Bluetooth + EDR/LE: < 10 dBm WLAN: < 17 dBm
Antenna	Integrated PIFA antenna (gain: maximum 1.4 dBi)
<b>Power system</b>	
Battery type	Rechargeable Li-ion battery
Battery voltage	3.6 V
Battery operating time	> 4 hours at 25°C (77°F) with typical use
Charging system	In camera (AC adapter or 12 V from a vehicle) or two-bay charger
Charging time (using two-bay charger)	3.5 h to 90% capacity, on-screen indicator
Charging temperature	0°C to +45°C (+32°F to +113°F), except for the Korean market: +10°C to +45°C (+50°F to +113°F)
External power operation	AC adapter 90–260 V AC (50/60 Hz) or 12 V from a vehicle (cable with standard plug, optional)
Power management	Automatic shut-down and sleep mode
<b>Environmental data</b>	
Operating temperature range	–15 to +50°C (5–122°F)
Storage temperature range	–40 to +70°C (–40 to 158°F)
Humidity (operating and storage)	IEC 60068-2-30/24 hours, 95% relative humidity, 25–40°C (77–104°F)/2 cycles
EMC	<ul style="list-style-type: none"> <li>ETSI EN 301 489-1 (radio)</li> <li>ETSI EN 301 489-17</li> <li>EN 61000-6-2 (immunity)</li> <li>EN 61000-6-3 (emission)</li> <li>FCC 47 CFR Part 15 Class B (emission)</li> </ul>
Radio spectrum	<ul style="list-style-type: none"> <li>ETSI EN 300 228</li> <li>FCC Part 15.249</li> <li>RSS-247 Issue 2</li> </ul>
Encapsulation	IP 54 (IEC 60529)
Shock	25g (IEC 60068-2-27)
Vibration	2g (IEC 60068-2-6)
Safety	EN/UL/CSA/PSE 60950-1
<b>Physical data</b>	
Weight (including battery)	1.4 kg (3.1 lb.)
Size (L × W × H)	<ul style="list-style-type: none"> <li>Lens vertical: 150.5 × 201.3 × 84.1 mm (5.9 × 7.9 × 3.3 in.)</li> <li>Lens horizontal: 150.5 × 201.3 × 167.3 mm (5.9 × 7.9 × 6.6 in.)</li> </ul>
Battery weight	195 g (6.89 oz.)
Battery size (L × W × H)	59 × 66 × 94 mm (2.3 × 2.6 × 3.7 in.)
Tripod mounting	UNC ¼"-20

P/N: 89206-0101

© 2019, FLIR Systems, Inc.

#89206-0101; r. 59480;

<b>Physical data</b>	
Housing material	PCABS with TPE, magnesium
Color	Black
<b>Warranty and service</b>	
Warranty	<a href="http://www.flir.com/warranty/">http://www.flir.com/warranty/</a>
<b>Shipping information</b>	
Packaging, type	Cardboard box
Packaging, contents	<ul style="list-style-type: none"> <li>• Accessory box I:               <ul style="list-style-type: none"> <li>◦ Power supply for battery charger</li> <li>◦ Power supply, 15 W/3 A</li> <li>◦ Printed documentation</li> <li>◦ SD card (8 GB)</li> <li>◦ USB 2.0 A to USB Type-C cable</li> <li>◦ USB Type-C to HDMI and PD adapter</li> <li>◦ USB Type-C to USB Type-C cable (USB 2.0 standard)</li> </ul> </li> <li>• Accessory box II:               <ul style="list-style-type: none"> <li>◦ Lens cap strap</li> <li>◦ Lens cleaning cloth</li> <li>◦ Neck strap</li> <li>◦ Small eyecup</li> </ul> </li> <li>• Battery (2 ea)</li> <li>• Battery charger</li> <li>• Extra lens, 14°</li> <li>• Extra lens, 42°</li> <li>• FLIR Tools+ license card</li> <li>• Hard transport case</li> <li>• Infrared camera with lens</li> <li>• Lens cap, front</li> <li>• Lens cap, front and rear (only for extra lenses)</li> </ul>
Packaging, weight	6.5 kg (14.3 lb.)
Packaging, size	500 × 190 × 370 mm (19.7 × 7.5 × 14.6 in.)
EAN-13	7332558024973
UPC-12	845188020729
Country of origin	Sweden

### Supplies & accessories:

- T199300ACC; Battery
- T199610; Battery charger
- T199347ACC; Hard transport case
- T300030; Option, No radio
- T130531ACC; Large eyecup
- T300188; Hand strap and neck strap
- T199609; Option, Macro mode 71/103 μm for 24°
- T850105; FLIR Inspection Route - Camera Option
- T130337ACC; Calibration target
- T199588; Lens 14° + case
- T199589; Lens 24° + case
- T199590; Lens 42° + case
- T300095; Lens 6° with case
- T911630ACC; Power supply for camera, 15 W/3 A
- T911631ACC; USB 2.0 A to USB Type-C cable, 0.9 m
- T911633ACC; Power supply for battery charger
- T911705ACC; USB Type-C to USB Type-C cable (USB 2.0 standard), 1.0 m
- T911706ACC; Car adapter 12 V
- T911845ACC; USB Type-C to HDMI and PD adapter



## FLIR T860 24° + 14° & 42°

---

**P/N: 89206-0101**

© 2019, FLIR Systems, Inc.

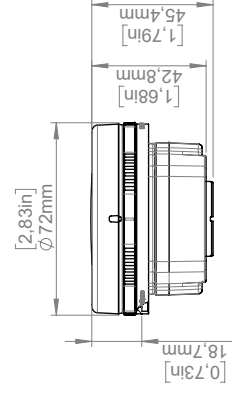
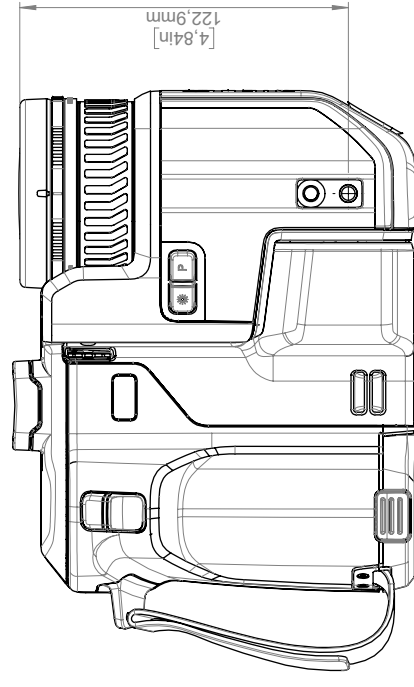
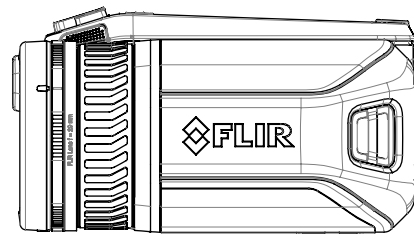
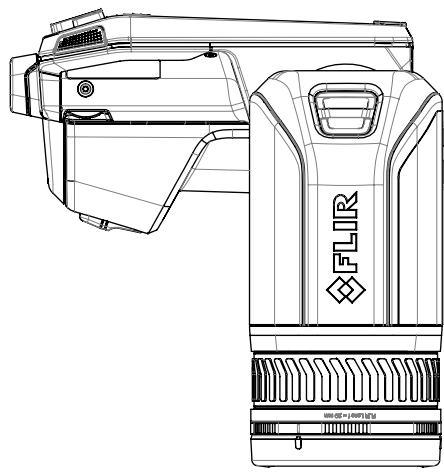
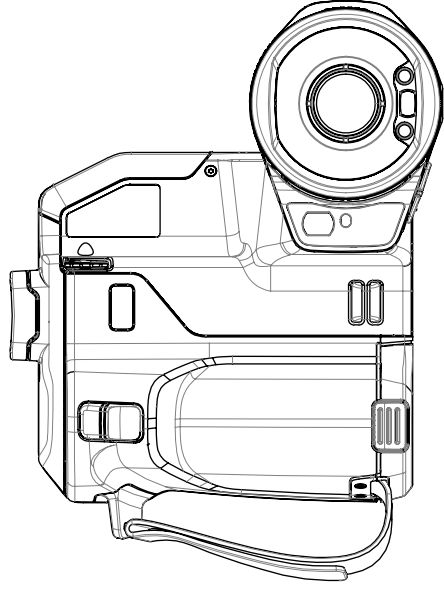
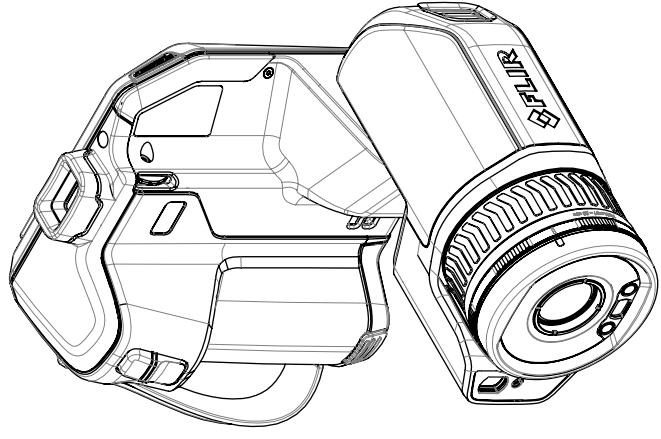
#89206-0101; r. 59480;

- T911846ACC; USB 2.0 A to USB Type-C with Power supply
- T198495; Pouch
- T197771ACC; Bluetooth Headset
- T300244; FLIR Route Creator Plugin for FLIR Thermal Studio Pro, 1 Year Subscription
- T300243; FLIR Thermal Studio Pro, 1 Year Subscription
- T300083; FLIR Thermal Studio Pro, Perpetual license
- T198583; FLIR Tools+ (download card incl. license key)
- T198696; FLIR ResearchIR Max 4 (hardware sec. dev.)
- T199013; FLIR ResearchIR Max 4 (printed license key)
- T199043; FLIR ResearchIR Max 4 Upgrade (printed license key)
- INST-EW-0155; Extended Warranty 1 Year for A3xxf, T540, T600/bx, T610, T840, T860
- INST-EWGM-0165; Premium Service Package for T540, T600/bx, T610, T840, T860
- INST-GM-0150; General Maintenance Package for T540, T6xx, T840, T860





Camera with Lens IR f=10mm (42°)  
 Camera with Lens IR f=17mm (24°)  
 Camera with Lens IR f=29mm (14°)



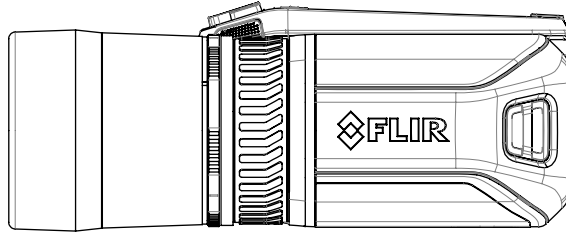
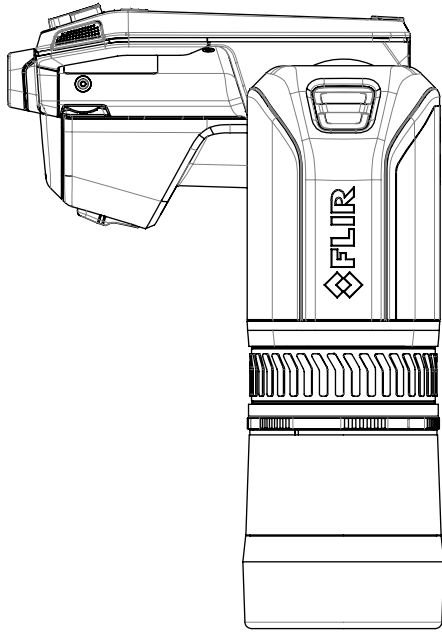
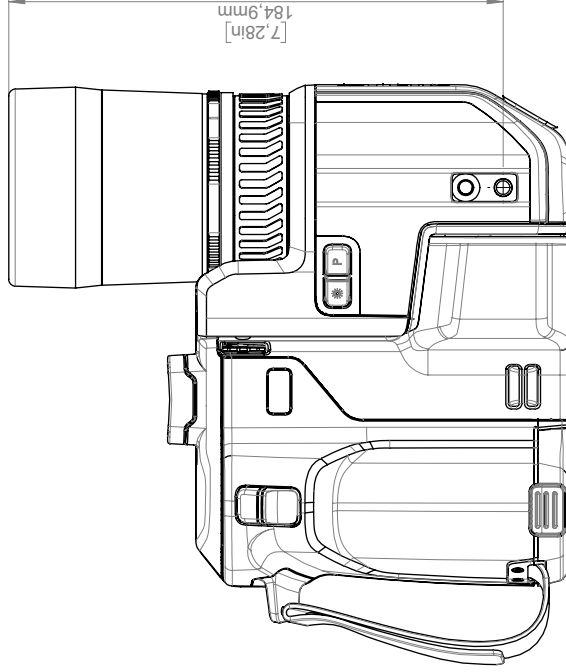
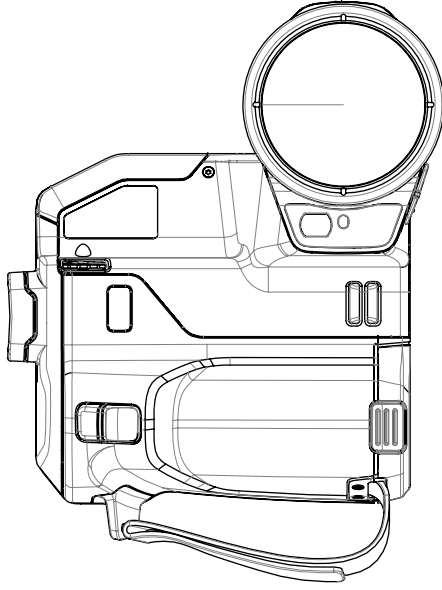
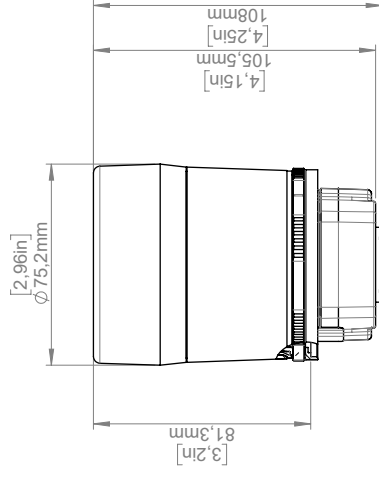
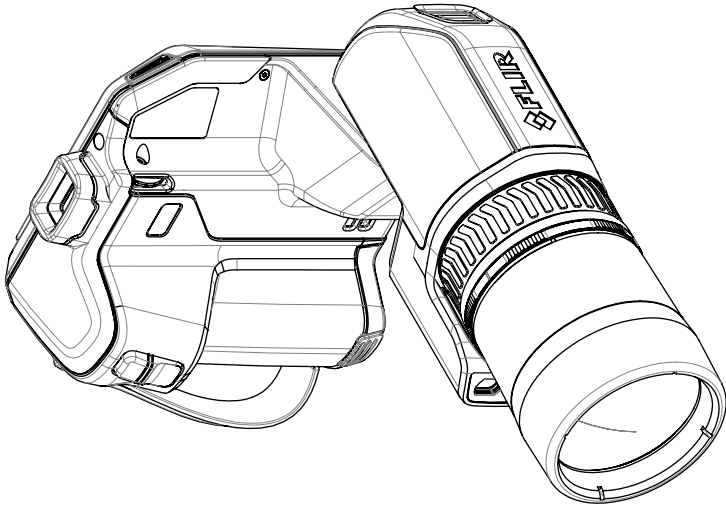
For additional dimensions see page 1

Modified 2018-09-24	Check JOHE	Drawn by R&D Instruments	Size A3	Sheet 2(4)	Rev A
Denomination Basic dimensions FLIR T8xx			Scale 1:5	Drawing No. T129914	



© 2016, FLIR Systems, Inc. All rights reserved worldwide. No part of this drawing may be reproduced, stored in a retrieval system, or transmitted in any form, or by any means, electronic, mechanical, photocopying, recording, or otherwise, without written permission from FLIR Systems, Inc. Specifications subject to change without further notice. Dimensional data is based on nominal values. Products may be subject to regional market considerations. License procedures may apply. Product may be subject to US Export Regulations. Please refer to exportquestions@flir.com with any questions. Division contrary to US law is prohibited.

# Camera with Lens IR f=70mm (6°)



For additional dimensions see page 1

Modified 2018-09-24 Denomination	Check JOHE	Drawn by R&D Instruments	FLIR
Basic dimensions FLIR T8xx			Sheet 3(4)
Size A3			Rev A
Scale 1:5			Drawing No. T129914



February 2, 2019 Täby, Sweden

AQ320246

**CE Declaration of Conformity – EU Declaration of Conformity**

Product: FLIR T5XX-, T8XX- and GF7X-series  
Name and address of the manufacturer:  
FLIR Systems AB  
PO Box 7376  
SE-187 15 Täby, Sweden

This declaration of conformity is issued under the sole responsibility of the manufacturer.  
The object of the declaration: FLIR T5XX-, T8XX- and GF7X-series (Product Model Name FLIR-T8210).  
The object of the declaration described above is in conformity with the relevant Union harmonisation legislation:

**Directives:**

Directive	2012/19/EU	Waste electrical and electric equipment
Directive	2014/53/EU	Radio Equipment Directive (RED)
Directive	1999/519/EC	Limitation of exposure to electromagnetic fields (SAR)
Directive	2011/65/EU	RoHS and 2015/830/EU

**Standards:**

EMC Radio:	ETSI EN 301 489-1 + -17	EMC for radio, broadband data transmission
Emission:	EN 61000-6-3/A1:2011	EMC – Generic standards
Immunity:	EN 61000-6-2:2005	Electromagnetic Compability Generic
	EN 301489-1:2016 v2.1.0	ERM – EMC for radio equipment
	EN 301489-17:2012 v2.2.1	ERM – EMC Wideband data
Laser:	EN 60825-1	Safety of laser products
Radio:	ETSI EN 300 328 v2.1.1	Harmonized EN covering essential requirements of the R&TTE Directive
	ETSI EN 301 893 v.2.1.1	5GHz WLAN
	EN 303 413 v1.1.0	Radio Spectrum Efficiency (gps)
SAR:	EN 50566:2013/AC:2014	Handheld and body mounted wireless
Safety:	EN 62209-02:2010	Handheld and body mounted wireless
	IEC 60950-1:2005+A1:2009+	Information technology equipment
	A2:2013 EN 60950-1:2006+	
RoHS:	A11:2009+AC:2011+A12:2011	
	EN 50581:2012	Technical documentation

**FLIR Systems AB**  
Quality Assurance

Lea Dabiri  
Quality Manager